

LIFTING BASKET

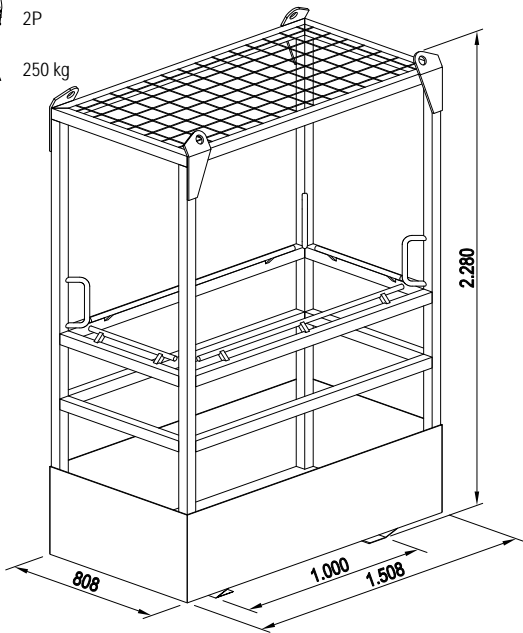
Workcages

Max. 250 kg



2P

250 kg

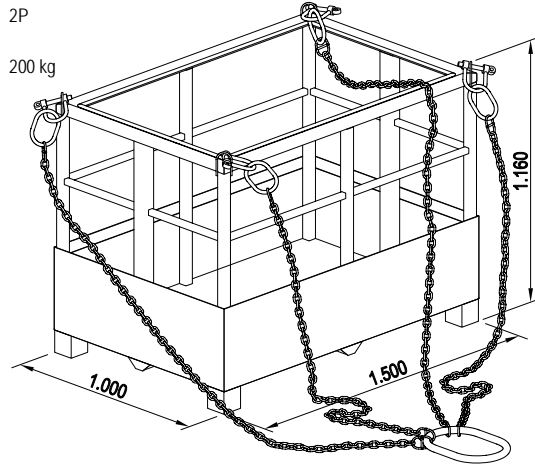


Max. 250 kg



2P

200 kg

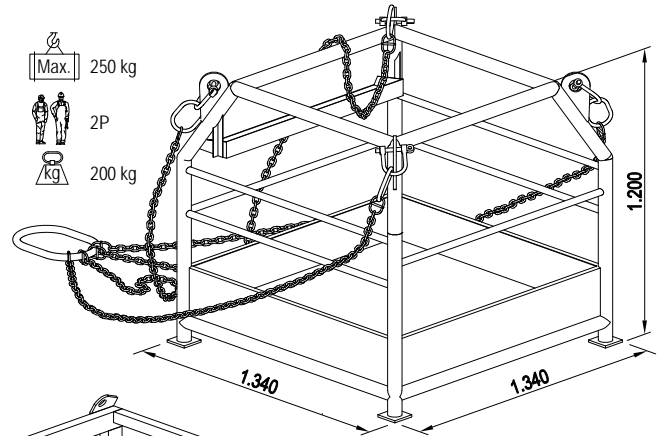


Max. 250 kg



2P

200 kg

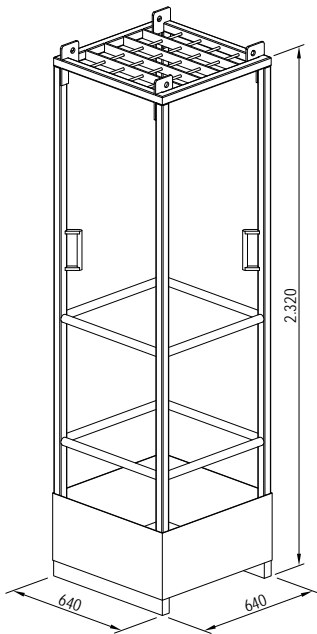


Max. 150 kg



1P

100 kg



Max. 600 kg



2P + $\pm 400\text{kg}$ = 600 kg

950 kg

