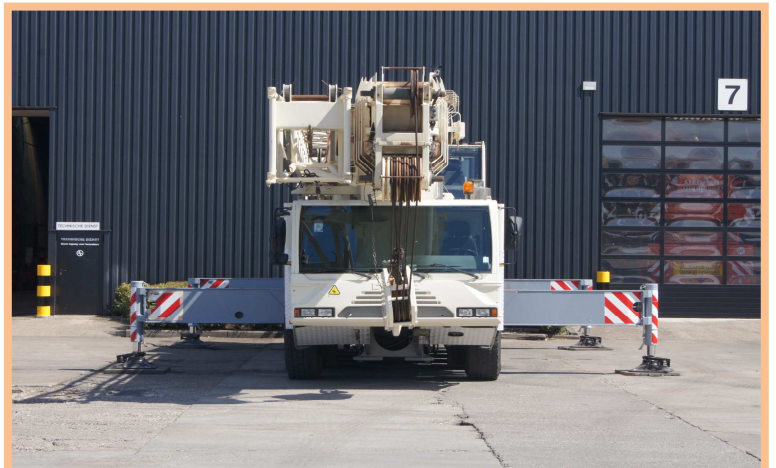


<b>Number</b>	<b>K165</b>	
Manufacturer	DEMAG	
Type	AC 100 ZA	
Lifting capacity	100 t	
Year	2003	
Factory number	77198	
<b>Carrier</b>		
Chassis number	WMG5205603Z000198	
Engine	Mercedes Benz OM 502 LAE2/4	
Capacity	350 kW	
Emission	EURO 3	
Engine Brake	yes	
Chalwyn valve	yes	
Spark arrestor	yes	
km	80.275	approx.
Hours	5.335	approx.
Transmission	Mercedes Benz G240-16	
Retarder	Telma (electromagnetic)	
Axle lines	5 (optional + 1)	
Extra axle	Demag	
Drive	10 x 6 x 8	
Tyres	12 x 16,00 R 25	

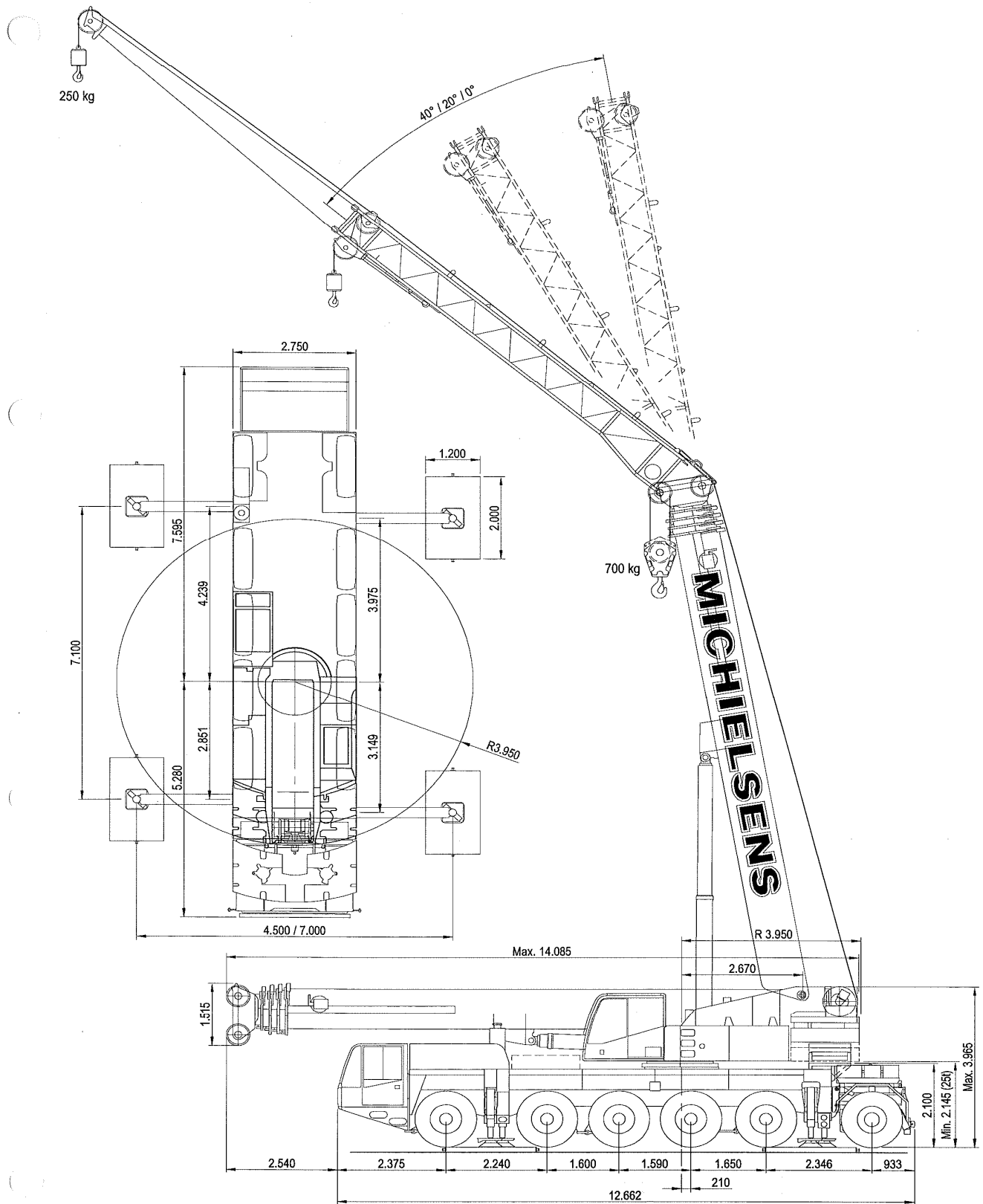
**Superstructure**

Engine	Mercedes Benz OM 904 LA II/4	
Capacity	125 kW	
Emission	EURO 3	
Chalwyn valve	yes	
Spark arrestor	yes	
hours	6.790 (09/07/2015)	
Main Boom	12,5 - 50,2 m	
Jib	9,2 - 17 m	
Luffing jib		
Counter weight	25 t	
Hoist cable		
Diameter	21 mm	
Length	260 m	
Hooks	3 sheave 50 t jibball 7,2 t	



**CLASS 120 t**

**DEMAG AC 100**



Version 1.0  
Page 1/6

For reference only.  
Dimensions in millimeters.