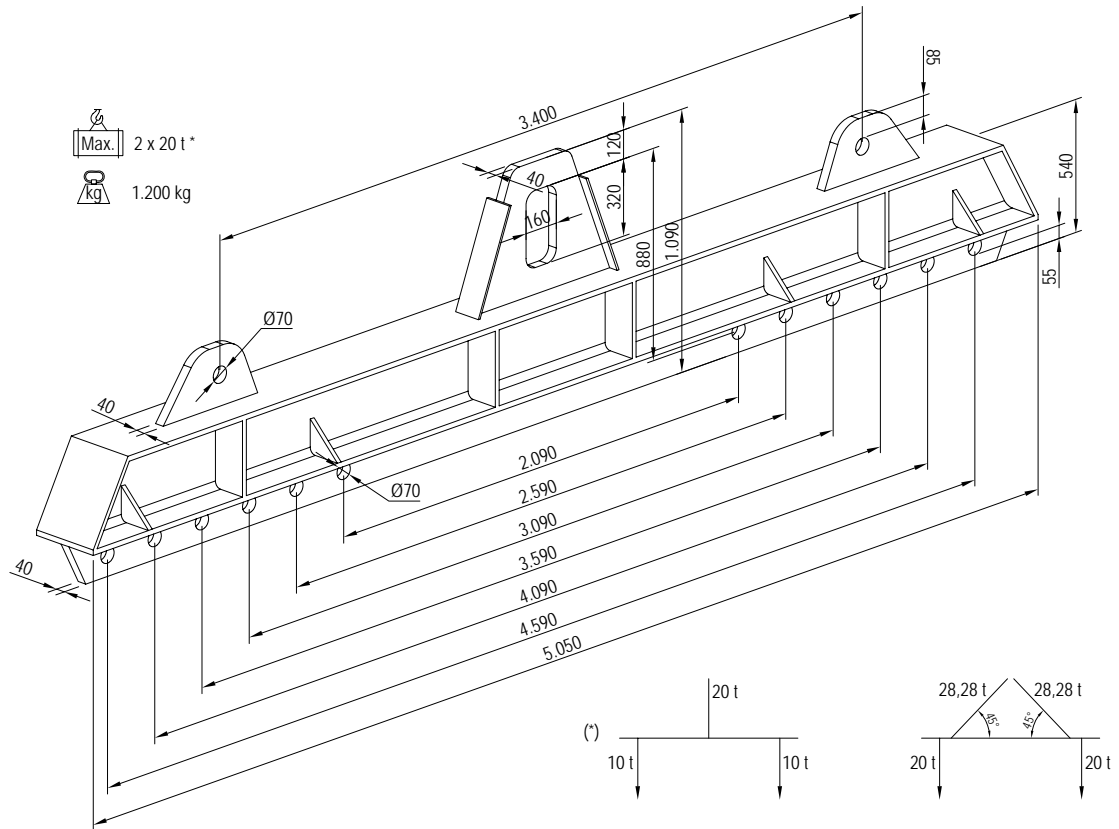


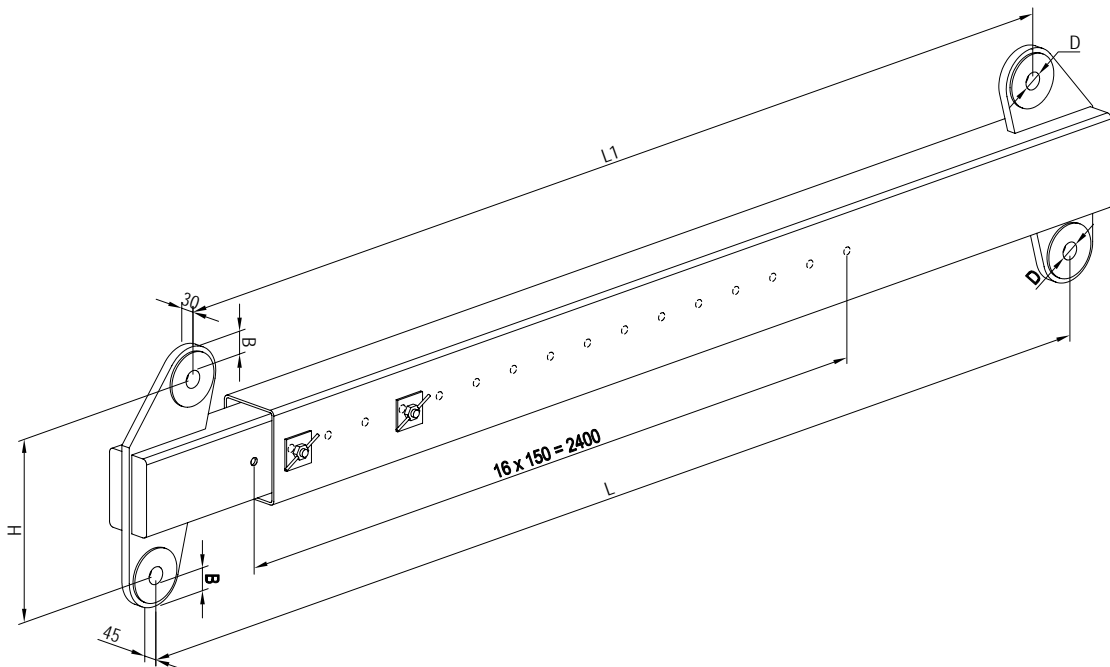
Lifting beam 1005

MICHELSENS



Adjustable lifting beam

MICHELSENS

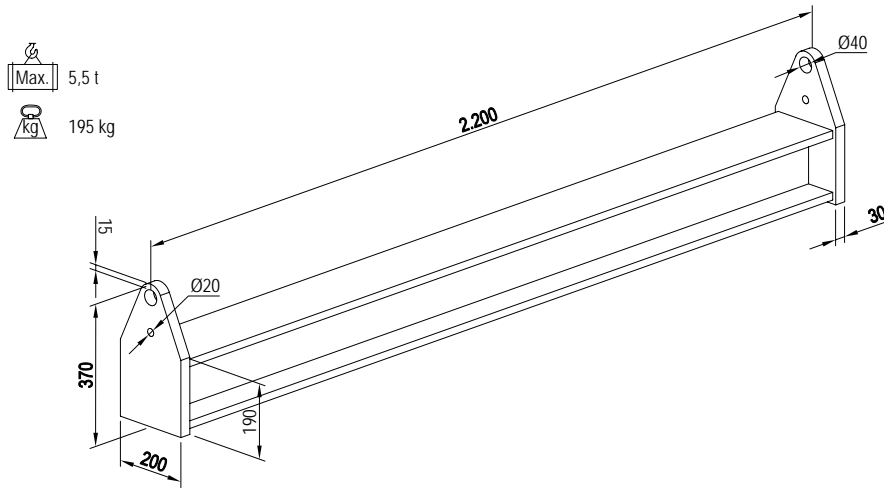


NR	Max.	kg	L	L1	B	H	D
1526	20 t	300 kg	3.555 - 5.955	3.355 - 5.755	50	355	40
1527	20 t	300 kg	3.555 - 5.955	3.355 - 5.755	50	355	40
1528	20 t	300 kg	3.555 - 5.955	3.355 - 5.755	50	355	40
1529	20 t	300 kg	3.555 - 5.955	3.355 - 5.755	50	355	40
1531	20 t	300 kg	3.555 - 5.955	3.355 - 5.755	50	355	40
1532	50 t	465 kg	3.550 - 5.950	3.250 - 5.650	72,5	580	55

LIFTING BEAMS

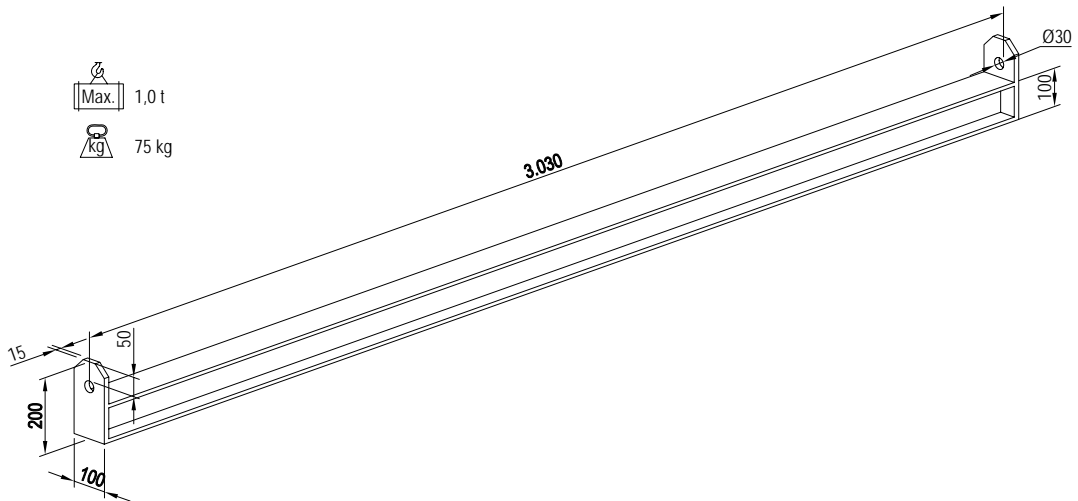
Lifting beam 1002

MICHELSENS



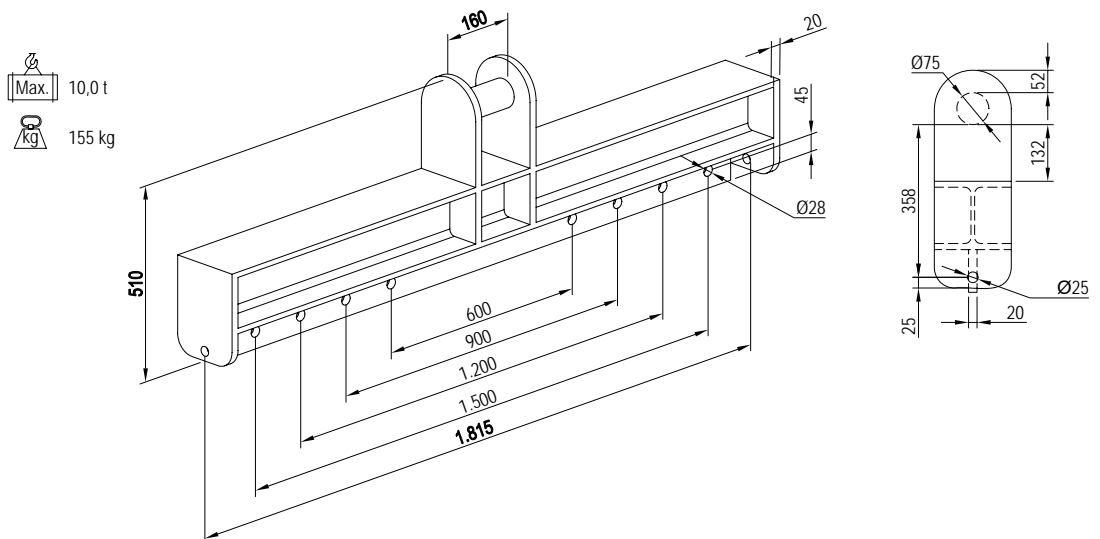
Lifting beam 1513 + 1514

MICHELSENS



Lifting beam 1523 + 1524

MICHELSENS




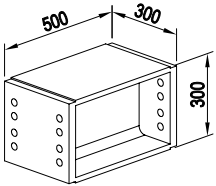
MODULAR LIFTING BEAM - SPREADER

Modular lifting beam 1510 + 1511


MICHELSENS 

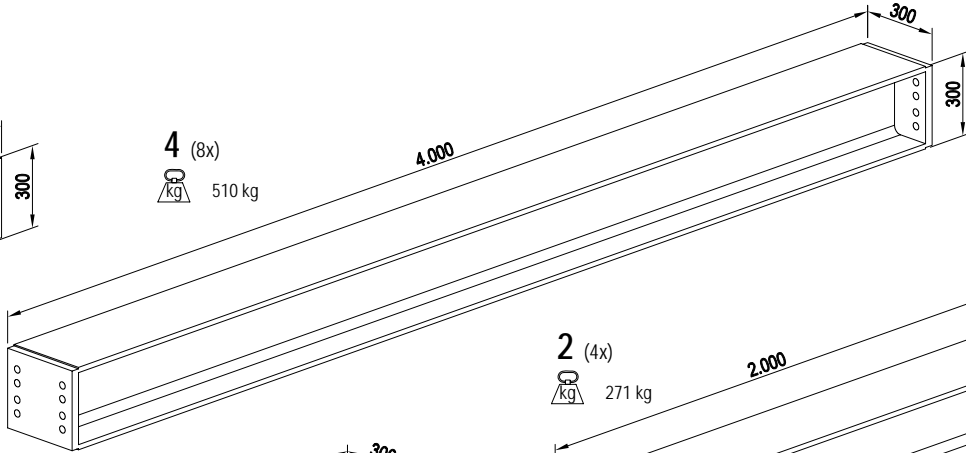
0,5 (4x)

 93 kg




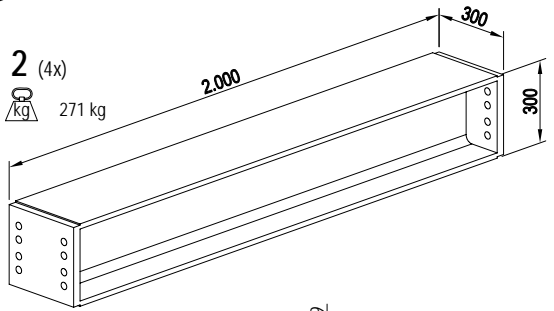
4 (8x)

 510 kg




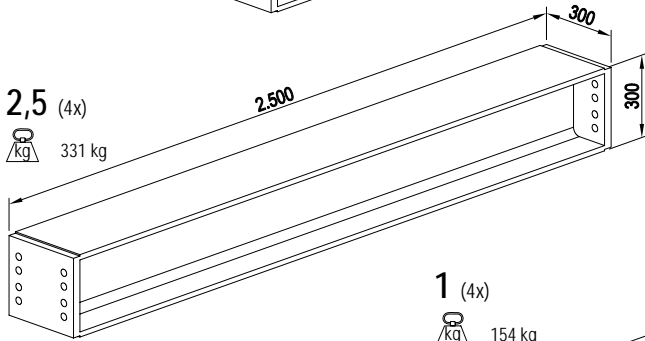
2 (4x)

 271 kg



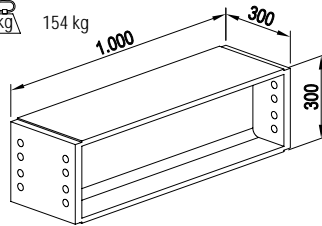
2,5 (4x)

 331 kg




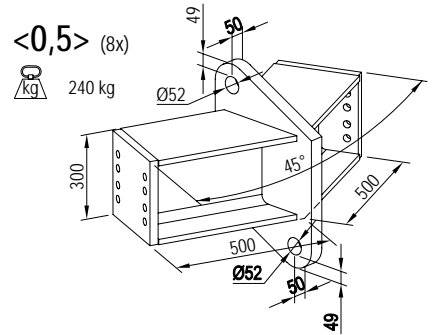
1 (4x)

 154 kg




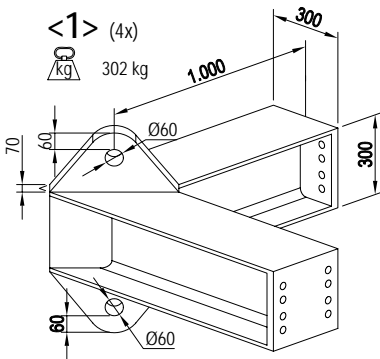
<0,5> (8x)

 240 kg




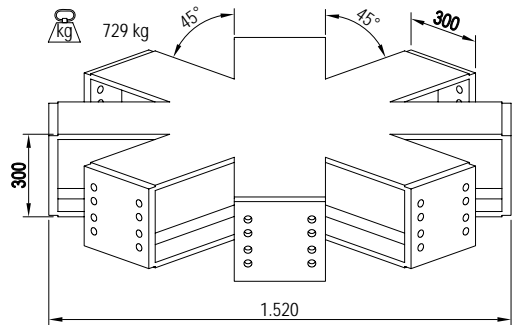
<1> (4x)

 302 kg



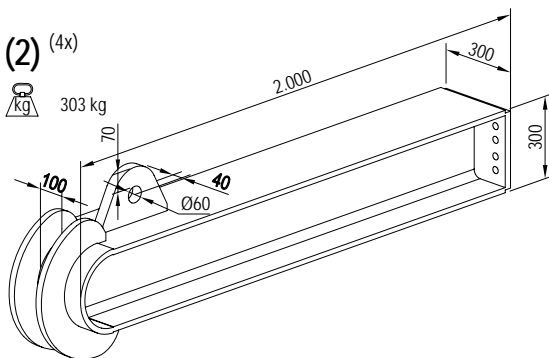
1,5 (1x)

 729 kg




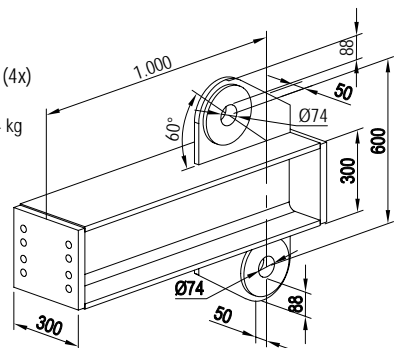
(2) (4x)

 303 kg



%1% (4x)

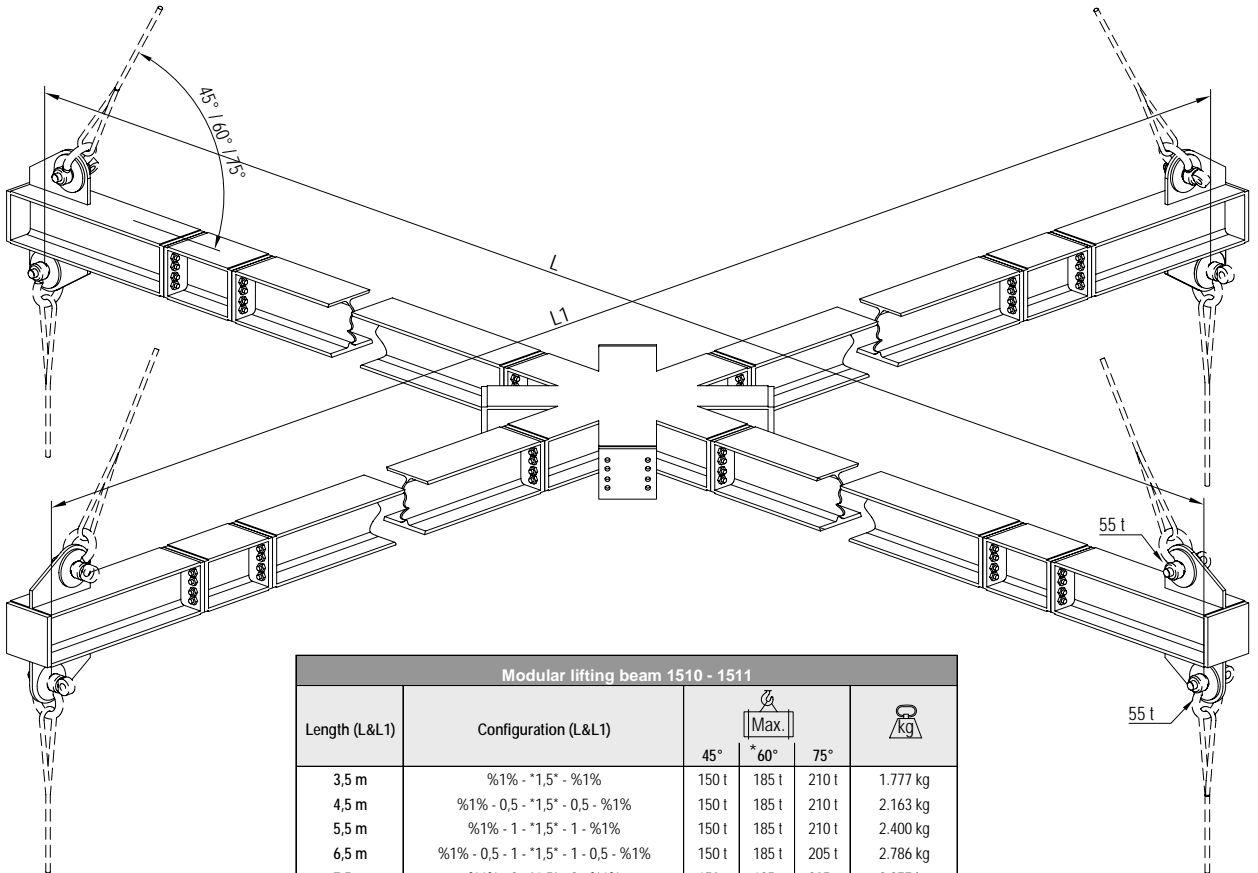
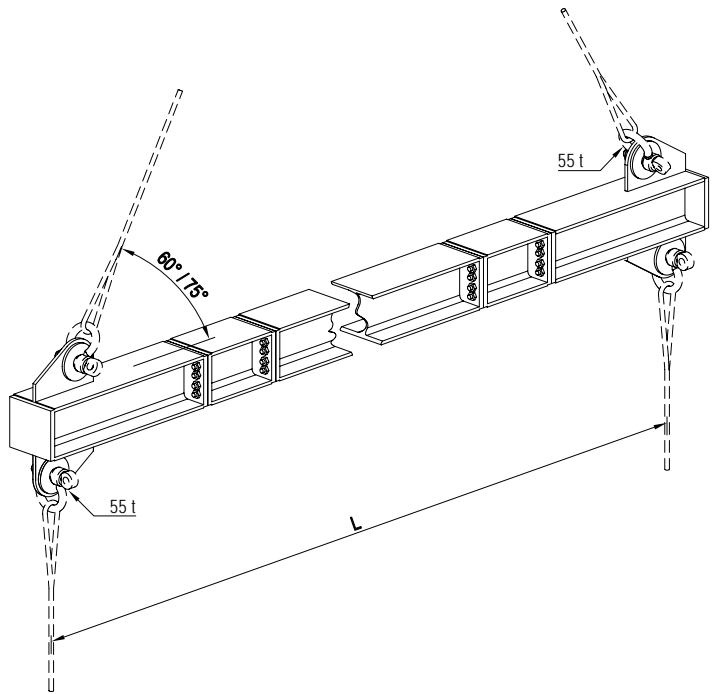
 214 kg



MODULAR LIFTING BEAM

Modular lifting beam 1510 - 1511				
Length (L)	Configuration	Max.		kg
		* 60°	75°	
2,0 m	%1% - %1%	95 t	105 t	594 kg
2,5 m	%1% - 0,5 - %1%	95 t	105 t	691 kg
3,0 m	%1% - 1 - %1%	95 t	105 t	750 kg
3,5 m	%1% - 1 - 0,5 - %1%	95 t	105 t	847 kg
4,0 m	%1% - 2 - %1%	95 t	105 t	869 kg
4,5 m	%1% - 2,5 - %1%	95 t	105 t	929 kg
5,0 m	%1% - 2 - 1 - %1%	95 t	105 t	1.025 kg
5,5 m	%1% - 2,5 - 1 - %1%	95 t	105 t	1.085 kg
6,0 m	%1% - 4 - %1%	95 t	105 t	1.108 kg
6,5 m	%1% - 4 - 0,5 - %1%	95 t	105 t	1.204 kg
7,0 m	%1% - 4 - 1 - %1%	95 t	105 t	1.264 kg
7,5 m	%1% - 0,5 - 4 - 1 - %1%	95 t	105 t	1.360 kg
8,0 m	%1% - 2 - 4 - %1%	95 t	105 t	1.383 kg
8,5 m	%1% - 2,5 - 4 - %1%	95 t	105 t	1.443 kg
9,0 m	%1% - 2 - 4 - 1 - %1%	95 t	105 t	1.539 kg
9,5 m	%1% - 2,5 - 4 - 1 - %1%	95 t	105 t	1.599 kg
10,0 m	%1% - 4 - 4 - %1%	95 t	105 t	1.622 kg
10,5 m	%1% - 4 - 0,5 - 4 - %1%	95 t	105 t	1.718 kg
11,0 m	%1% - 4 - 1 - 4 - %1%	95 t	105 t	1.778 kg
11,5 m	%1% - 0,5 - 4 - 4 - 1 - %1%	95 t	105 t	1.874 kg
12,0 m	%1% - 4 - 2 - 4 - %1%	95 t	105 t	1.897 kg
12,5 m	%1% - 4 - 2,5 - 4 - %1%	95 t	105 t	1.957 kg
13,0 m	%1% - 2 - 4 - 4 - 1 - %1%	90 t	105 t	2.053 kg
13,5 m	%1% - 2,5 - 4 - 4 - 1 - %1%	85 t	105 t	2.112 kg
14,0 m	%1% - 4 - 4 - 4 - %1%	77 t	103 t	2.136 kg

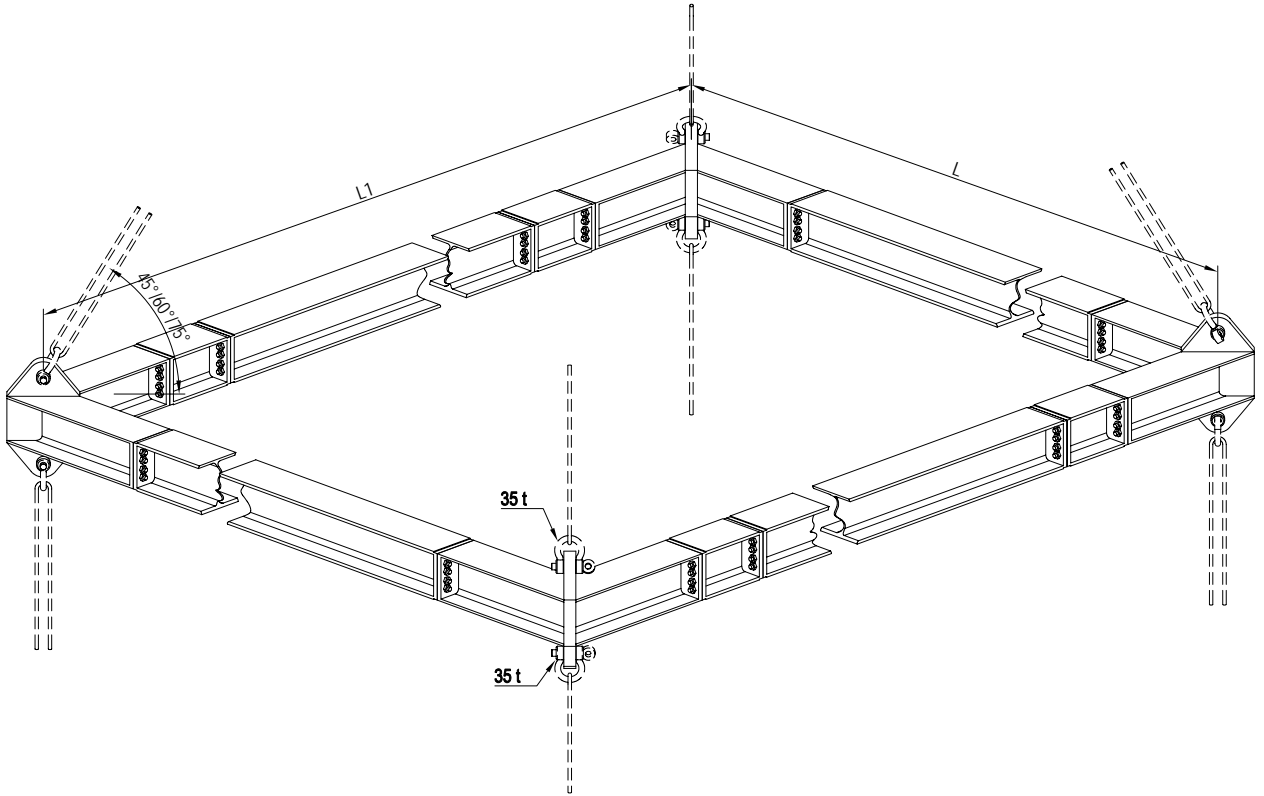
(*) = recommended



Modular lifting beam 1510 - 1511					
Length (L&L1)	Configuration (L&L1)	Max.			kg
		45°	* 60°	75°	
3,5 m	%1% - *1,5° - %1%	150 t	185 t	210 t	1.777 kg
4,5 m	%1% - 0,5 - *1,5° - 0,5 - %1%	150 t	185 t	210 t	2.163 kg
5,5 m	%1% - 1 - *1,5° - 1 - %1%	150 t	185 t	210 t	2.400 kg
6,5 m	%1% - 0,5 - 1 - *1,5° - 1 - 0,5 - %1%	150 t	185 t	205 t	2.786 kg
7,5 m	%1% - 2 - *1,5° - 2 - %1%	150 t	185 t	205 t	2.877 kg
8,5 m	%1% - 2,5 - *1,5° - 2,5 - %1%	150 t	185 t	205 t	3.263 kg
9,5 m	%1% - 1 - 2 - *1,5° - 2 - 1 - %1%	150 t	185 t	205 t	3.502 kg
10,5 m	%1% - 1 - 2,5 - *1,5° - 2,5 - 1 - %1%	140 t	185 t	205 t	3.739 kg
11,5 m	%1% - 4 - *1,5° - 4 - %1%	120 t	185 t	205 t	3.832 kg
12,5 m	%1% - 2,5 - 2 - *1,5° - 2 - 2,5 - %1%	105 t	185 t	205 t	4.218 kg
13,5 m	%1% - 4 - 1 - *1,5° - 1 - 4 - %1%	90 t	155 t	205 t	4.455 kg
14,5 m	%1% - 2,5 - 2 - 1 - *1,5° - 1 - 2 - 2,5 - %1%	75 t	130 t	205 t	4.841 kg

(*) = recommended

MODULAR LIFTING BEAM



Modular lifting beam 1510 - 1511 - 1525				
Length (L&L1)	Max.			kg
	45°	* 60°	75°	
2,0 m	110 t	140 t	155 t	1.820 kg
2,5 m	110 t	139 t	155 t	2.210 kg
3,0 m	110 t	139 t	155 t	2.450 kg
3,5 m	110 t	139 t	155 t	2.830 kg
4,0 m	110 t	139 t	155 t	2.930 kg
4,5 m	110 t	139 t	155 t	3.160 kg
5,0 m	110 t	138 t	155 t	3.550 kg
5,5 m	110 t	138 t	154 t	3.790 kg
6,0 m	110 t	138 t	154 t	3.880 kg
6,5 m	110 t	137 t	153 t	4.270 kg
7,0 m	110 t	137 t	153 t	4.500 kg
7,5 m	110 t	137 t	153 t	4.890 kg
8,0 m	110 t	136 t	153 t	4.980 kg
8,5 m	110 t	136 t	153 t	5.220 kg
9,0 m	110 t	136 t	152 t	5.600 kg
9,5 m	110 t	136 t	152 t	5.840 kg
10,0 m	110 t	136 t	152 t	5.930 kg
10,5 m	109 t	135 t	151 t	6.320 kg
11,0 m	108 t	135 t	151 t	6.560 kg
11,5 m	108 t	134 t	151 t	6.940 kg
12,0 m	108 t	134 t	150 t	7.040 kg
12,5 m	108 t	134 t	150 t	7.270 kg
13,0 m	107 t	133 t	150 t	7.660 kg
13,5 m	107 t	133 t	149 t	7.900 kg
14,0 m	107 t	133 t	149 t	8.280 kg
14,5 m	107 t	133 t	149 t	8.370 kg

(*) = recommended